



# VIKAS INDUSTRIES

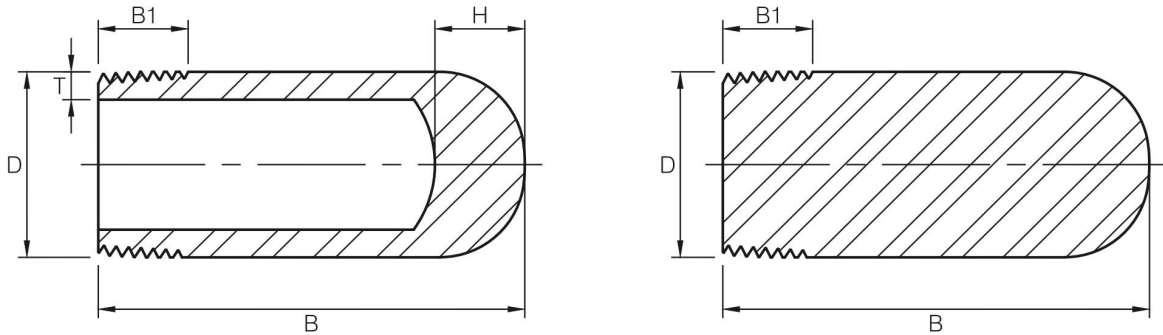
A GOVT. OF INDIA RECOGNISED STAR EXPORT HOUSE



AN ISO 9001: 2015 CERTIFIED COMPANY  
A UL LISTED COMPANY

## BULL PLUG

MSS SP-95-2014



Dimensions are in millimeters.

Nom. Pipe Size	D	B	B1	T (Min)				H
				Sch 40/STD	Sch80/XS (3M)	Sch160 (6M)	XXS	
1/8	10.3	51	9.5	1.73	2.41	-	-	14
1/4	13.7	51	11.0	2.24	3.02	-	-	14
3/8	17.1	57	12.5	2.31	3.20	-	-	14
1/2	21.3	64	14.5	2.77	3.73	4.78	7.47	14
3/4	26.6	70	16.0	2.87	3.91	5.56	7.82	18
1	33.4	76	19.0	3.38	4.55	6.35	9.09	18
1-1/4	42.2	83	20.5	3.56	4.85	6.35	9.70	18
1-1/2	48.3	89	20.5	3.68	5.08	7.14	10.15	18
2	60.3	102	22.0	3.91	5.54	8.74	11.07	20
2-1/2	73.0	127	27.0	5.16	7.01	9.53	14.02	20
3	88.9	152	28.5	5.49	7.62	11.13	15.24	20
4	114.3	178	32.0	6.02	8.56	13.49	17.12	20

(1) Thread in accordance with ASME B1.20.1.

(2) Wall Thickness (T Min.) in accordance with ASME B36.10M.