



VIKAS INDUSTRIES

A GOVT. OF INDIA RECOGNISED STAR EXPORT HOUSE

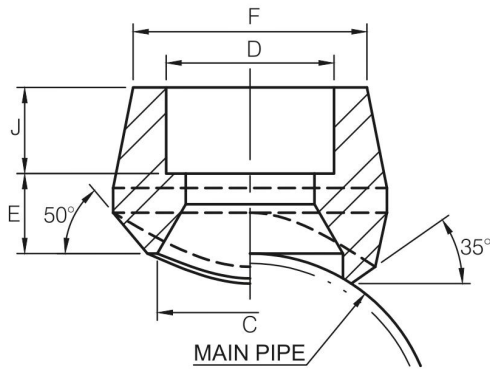


AN ISO 9001: 2015 CERTIFIED COMPANY

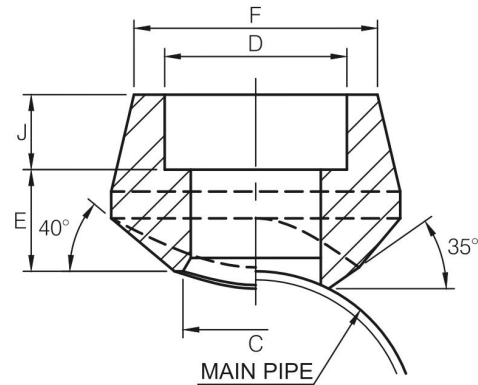
A UL LISTED COMPANY

SOCKET WELDING END 90° BRANCH OUTLET

MSS SP-83-2014



REDUCING WAY



STRAIGHT WAY

Dimensions are in millimeters.

Dimensions are in millimeters.

Reducing Way					
OutLet Pipe (in)	C	D	F	J (Min)	E (Max)

3000Lb					
1/8	13.7	10.8	22.0	9.5	11.0
1/4	13.7	14.2	22.0	9.5	11.0
3/8	19.1	17.6	25.9	9.5	13.0
1/2	21.3	21.8	31.4	9.5	16.0
3/4	26.7	27.2	37.1	12.5	16.0
1	33.4	33.9	45.5	12.5	23.0
1-1/4	42.2	42.7	57.0	12.5	23.0
1-1/2	48.3	48.8	64.0	12.5	24.0
2	60.3	61.2	76.0	16.0	24.0
2-1/2	73.2	73.9	92.0	16.0	26.0
3	88.9	89.8	109.2	16.0	31.0
4	114.3	115.2	140.0	19.0	31.0

6000Lb					
1/2	16.6	21.8	38.0	9.5	24.0
3/4	21.2	27.2	44.0	12.5	26.0
1	27.0	33.9	57.0	12.5	29.0
1-1/4	35.8	42.7	64.0	12.5	31.0
1-1/2	41.2	48.8	76.0	12.5	32.0
2	51.6	61.2	92.0	16.0	37.0

Straight Way					
OutLet Pipe (in)	C	D	F	J (Min)	E (Max)

3000Lb					
1/4	11.5	14.2	22.0	9.5	11.0
3/8	14.5	17.6	25.9	9.5	13.0
1/2	16.5	21.8	31.4	9.5	16.0
3/4	21.5	27.2	37.1	12.5	16.0
1	27.2	33.9	45.5	12.5	23.0
1-1/4	36.0	42.7	57.0	12.5	23.0
1-1/2	42.0	48.8	64.0	12.5	24.0
2	53.0	61.2	76.0	16.0	24.0
2-1/2	65.0	73.9	92.0	16.0	26.0
3	80.0	89.8	109.2	16.0	31.0
4	104.0	115.2	140.0	19.0	31.0

(1) Socket in accordance with ASME B16.11.

- (1) Socket in accordance with ASME B16.11.
- (2) 3000LB Outlet size 4 and less fit a number of run pipe sizes and the fitting are marked accordingly.
See page 26 for conventional run pipe size combination.